

TTW⁴

Light Duty Commercial Power Vent Energy Saver Gas Water Heaters



Photo is of
TW4-65S-70FB-3N

FEATURING:



The TTW⁴ FVIR Defender Safety System[®] Models Feature (50 and 65 gallon models, only):

- **Advanced ScreenLok[®] Technology Flame Arrestor Design**—Flame arrestor is designed to prevent ignition of flammable vapor outside of the water heater
- **Flammable Vapor Sensor**—Electronic sensor prevents burner operation if flammable vapors are detected. The sensor will also prevent operation if there is ongoing flammable vapor burn inside the combustion chamber.
- **Maintenance Free**—No regular cleaning of air inlet openings or flame arrestor is required under normal conditions.
- **Sight Window**—Offers a view into the combustion chamber to observe the operation of the pilot and burner.

All TTW⁴ Models Feature:

- **Bradford White ICON System[™]**—Intelligent gas control with spark to pilot ignition system eliminates the constant burning pilot. This results in savings of pilot gas during stand by periods (120 V.A.C.).
 - **Enhanced Performance**—Proprietary algorithms provide enhanced First Hour Delivery ratings and tighter temperature differentials.
 - **Advanced Temperature Control System**—Microprocessor constantly monitors and controls burner operation to maintain consistent and accurate water temperature levels.
 - **Intelligent Diagnostics**—An exclusive green LED light prompts the installer during start-up and provides ten different diagnostic codes to assist in troubleshooting.
 - **Separate Immersed Thermowell**—High strength advanced polymer composite thermowell provides isolation between electric temperature sensor and surrounding water. No need to drain the tank when removing gas valve.
- **Compatible with Optional Accessory Packages**—Performance Package, Protection Package and Inlet Shut-Off Valve.
- **Power Vented Water Heater**—Designed for installations where atmospheric units cannot be used. Exhaust gases are vented under positive pressure directly out of the building through the roof or the wall.
- **Powerful Blower Motor**—Our significantly quiet design has greater resistance to outside winds and the power to vent in many difficult venting situations.
- **Horizontal and Vertical Venting**—With 3" or 4" PVC, ABS, or CPVC (Maximum equivalent vent length on reverse side).
- **Factory Installed Hydrojet[®] 2[™] Total Performance System**—Cold water inlet sediment reducing device helps prevent sediment build up in tank. Increases first hour delivery of hot water while minimizing temperature build up at top of tank.
- **Vitraglas[®] Lining**—Bradford White tanks are lined with an exclusively engineered enamel formula that provides superior tank protection from the highly corrosive effects of hot water. This formula (Vitraglas[®]) is fused to the steel surface by firing at a temperature of over 1600°F (871°C).
- **2" Non-CFC Foam Insulation**—Covers the sides and top of tank, reducing the amount of heat loss. This results in less energy consumption, improved operation efficiencies and jacket rigidity.
- **Pedestal Base.**
- **Water Connections**—3/4" NPT factory installed true dielectric fittings.
- **3/4" NPT Side Connections.**
- **Factory Installed Heat Traps**—Design incorporates a flexible disk that reduces heat loss in piping and eliminates the potential for noise generation.
- **Protective Magnesium Anode Rod**
- **T&P Relief Valve**—Installed.
- **Low Restriction Brass Drain Valve**—Durable tamper proof design.

3 or 5-Year Limited Tank Warranties / 1-Year Limited Warranty on Component Parts.

For more information on warranty, please visit www.bradfordwhite.com

For products installed in USA, Canada and Puerto Rico. Some states do not allow limitations on warranties. See complete copy of the warranty included with the heater.

Commercial Power Vent Gas Water Heater

Light Duty TTW[®]4 Energy Saver Models

NATURAL GAS AND LIQUID PROPANE GAS

Meet or exceed ASHRAE 90.1b (current standard) C.E.C. Listed
80% Recovery Efficiency

Model Number	Capacity		Nat. BTU/Hr. Input	LP BTU/Hr. Input	First Hour Rating** Gal.	Recovery 100°F Rise*				A Floor to Vent Conn. in.	B Jacket Dia. in.	C Vent Size in.	D Floor to T&P Conn. in.	E Floor to Gas Conn. in.	F Floor to Space Heating Return in.	G Floor to Space Heating Outlet in.	H Floor to Heater Top in.	J Floor to Water Conn. in.	K Depth in.	Approx. Shipping Weight lbs.
	U.S. Gal.	Imp. Gal.				Nat. U.S. GPH	Imp. U.S. GPH	LP U.S. GPH	LP Imp. GPH											
TW4-50S-67FB-3N	48	40	67,000	60,000	108	65	54	58	49	65½	22	3	50½	11½	13½	50½	56½	57½	26½	188
TW4-65S-70FB-3N	65	54	70,000	63,000	126	68	57	61	51	69	24	3	53½	11½	13½	53½	59½	60½	28½	222
TW4-75S-76B-3N	75	62	76,000	75,500	—	74	61	73	60	68½	26	3	53	15	17½	53	60½	61½	31	257

Model Number	Capacity		Nat. kW Input	LP kW Input	First Hour Rating** Liters	Recovery 56°C Rise*		A Floor to Vent Conn. mm.	B Jacket Dia. mm.	C Vent Size mm.	D Floor to T&P Conn. mm.	E Floor to Gas Conn. mm.	F Floor to Space Heating Return mm.	G Floor to Space Heating Outlet mm.	H Floor to Heater Top mm.	J Floor to Water Conn. mm.	K Depth mm.	Approx. Shipping Weight kg.
	Liters					Nat. Liters/Hour	LP Liters/Hour											
TW4-50S-67FB-3N	182	19.6	17.6	409	246	220	1673	560	76	1273	320	343	1273	1432	1467	679	85	
TW4-65S-70FB-3N	246	20.5	18.5	477	257	231	1753	610	76	1360	320	343	1360	1511	1543	730	101	
TW4-75S-76B-3N	284	22.3	22.1	—	280	276	1737	660	76	1346	381	451	1346	1530	1562	787	117	

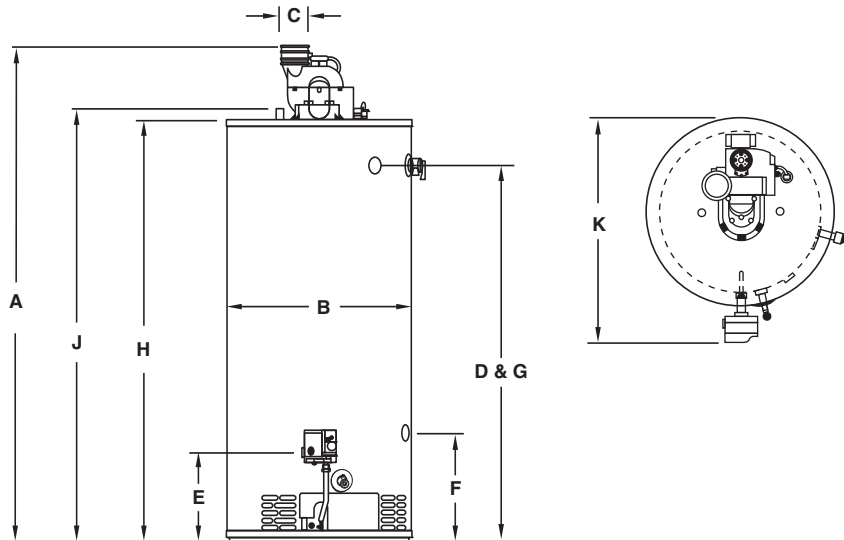
Propane models feature a Titanium Stainless Steel propane burner. For Propane (LP) models change suffix "B" to "S" and "N" to "X". For 5 year models, change suffix from "3" to "5".

*Based on manufacturers rated recovery efficiency.

** First Hour Rating is based on the latest AHRI Directory listings.

110 V.A.C. Required for Power Venting / 110 V.A.C. 60HZ 3.1 Amperes.

NSF construction available.



	3" Vent Pipe	4" Vent Pipe
Max. Equivalent Length	†60 ft.**	†180 ft.
Min. Equivalent Length	7 ft.	15 ft.
Number of 90° Elbows	1 2 3	175 ft. 170 ft. 165 ft.

Subtract 5ft. for each additional 90° elbow
†For high altitude installations, consult the installation instructions.

**TW4-75S Max. 3" vent length is 50ft.

Meets NAECA Requirements.

General

All gas water heaters are certified at 300 PSI (2068 kPa) test pressure and 150 PSI (1034 kPa) working pressure.

All water connections are 3/4" NPT (19mm) on 11" (279mm) centers. All gas connections are 1/2" (13mm).

All models design certified by CSA International (formerly AGA/CGA), ANSI Z-21.10.1 and/or 10.3 and peak performance rated.

Dimensions and specifications subject to change without notice in accordance with our policy of continuous product improvement.

Suitable for Water (Potable) Heating and Space Heating

Toxic chemicals, such as those used for boiler treatment, shall NEVER be introduced into this system. This unit may NEVER be connected to any existing heating system or component(s) previously used with a non-potable water heating appliance.



For U.S. and Canada field service, contact your professional installer or local Bradford White sales representative.

Sales 800-523-2931 • Fax 215-641-1670 / Technical Support 800-334-3393 • Fax 269-795-1089 • Warranty 800-531-2111 • Fax 269-795-1089

International: Telephone 215-641-9400 • Telefax 215-641-9750 / www.bradfordwhite.com

BRADFORD WHITE-CANADA INC. Sales / Technical Support 866-690-0961 / 905-238-0100 • Fax 905-238-0105 / www.bradfordwhite.com

Built to be the Best™

©2013, Bradford White Corporation. All rights reserved.